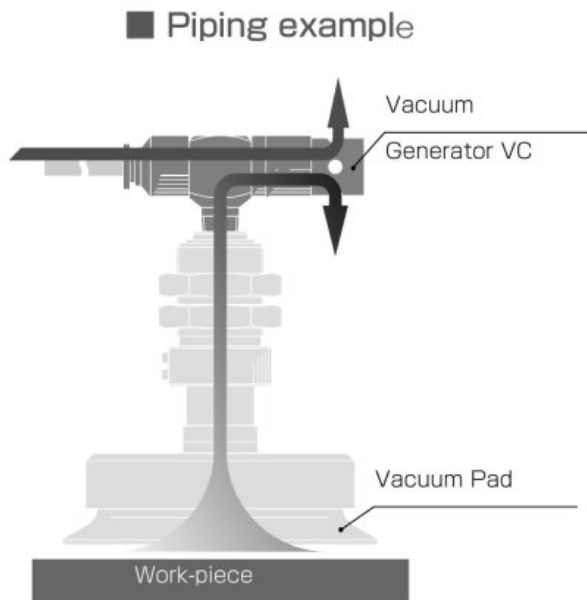
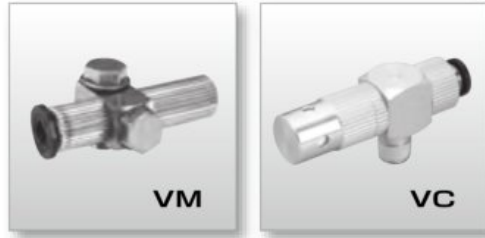




# Vacuum Generators

## Venturi Vacuum Generator VM, VC



- *VC, VM Type (Vacuum pad Direct Mounting)*
- *Nozzle bore of  $\varnothing 0.3$  and  $\varnothing 0.4$ mm are recently added*
- *Nozzle bore :  $\varnothing 0.3$  to  $\varnothing 2.0$ mm are now available in the series*



- *Light-weight and compact design (Main body of large VC models with taper thread are made of aluminum)*
- *Low profile VC, VM Type is ideal for applications with space and weight restriction*

